



*photo: courtesy of Daren Lewis*

## Civil Engineering

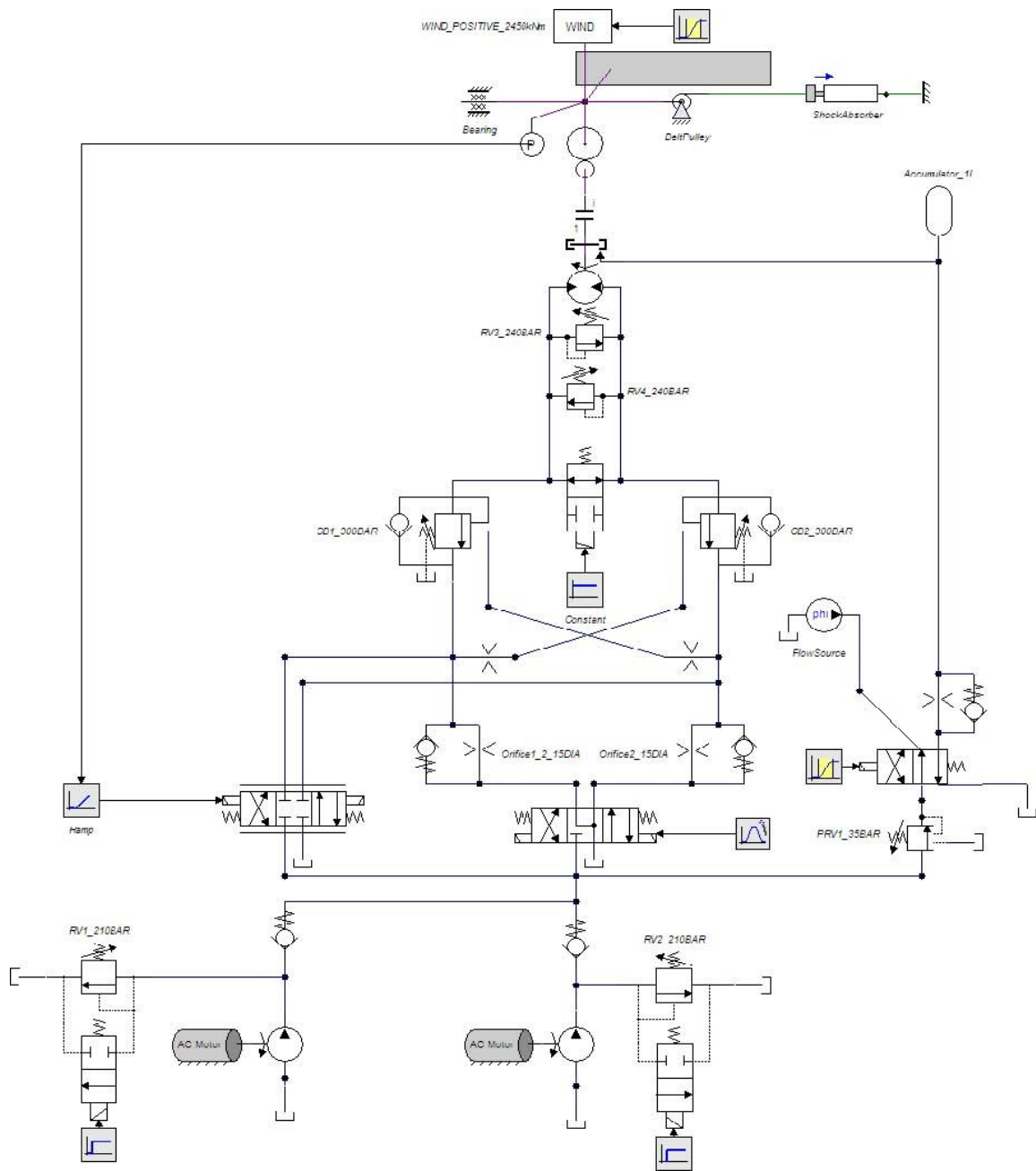
# Swing Bridge

## KGAL

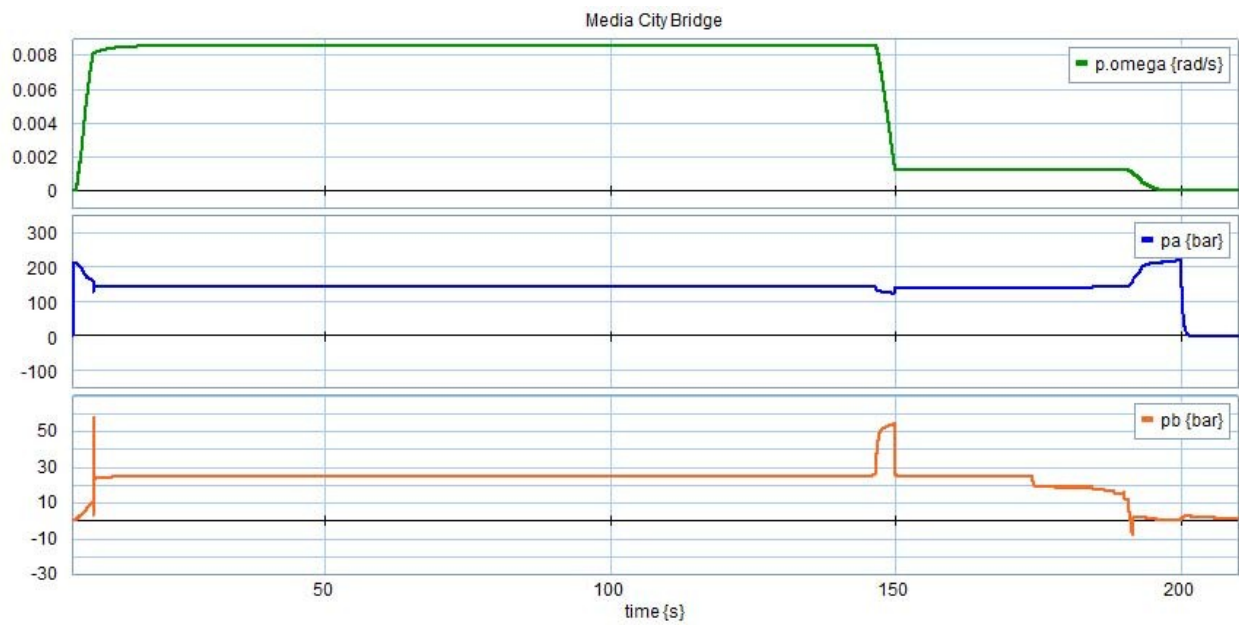
KGAL (Kenneth Grubb Associates Limited) was formed by Ken Grubb in 1991 and today, as KGAL Consulting Engineers Ltd., offers a complete structural, mechanical, hydraulic and electrical engineering service in the field of hydro-mechanical equipment, through all stages of a project from conceptual design development to final commissioning on site. For the Media City Swing bridge, a feasibility study was carried out using modelling and simulation.



# 20-sim Model



## Simulation



## Results

- The hydraulic system is fit for its job.
- The bridge will be able to operate at severe wind load.
- More dampers at the end tip of the bridge are required.

## Contact

info@20sim.com  
+31 (0)85 773 1872